

**UCC3912 Programmable Electronic Circuit Breaker
– Performance Evaluation and Programming Information**

by Bill Andreycak

The UCC3912 Demonstration Kit will enable designers to evaluate the performance of The UCC3912 Electronic Circuit Breaker in a typical application circuit. This kit features a number of programming options which include : individual "Hot Swap" of input and output connections, maximum current, Fault cur-

rent level, and Shutdown. Each of these is programmed via switches located on the board. An LED indicates when the Current Fault Level comparator has been triggered and the device is in a low duty cycle mode.

List of switches, connections and functions:

SWITCH	CONNECTION (IC pin #)	FUNCTION
SW1	V _{IN} (2,3)	"Hot Swapping" of the input supply
SW2	V _{OUT} (14,15)	"Hot Swapping" of the output supply
SW3-1	I _{MAX} (10)	Sets maximum current level
SW3-3	B ₃ (6)	Current Limit DAC Bit#3 input
SW3-4	B ₂ (7)	Current Limit DAC Bit#2 input
SW3-5	B ₁ (8)	Current Limit DAC Bit#1 input
SW3-6	B ₀ (9)	Current Limit DAC Bit#0 input
SW3-8	Shutdown (1)	Shutdown input to disable IC

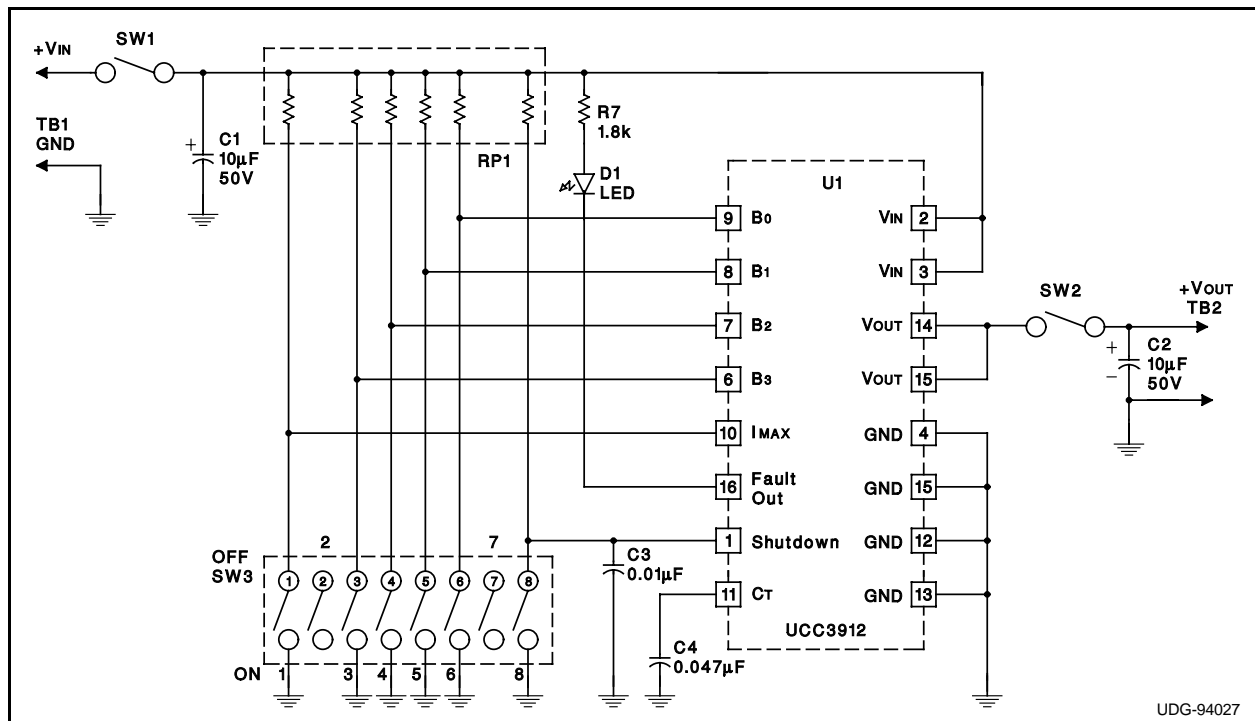


Figure 1. UCC3912 Demo Circuit Schematic

Programming the switches : Switch SW3 is a standard eight position DIP switch, but only six of these provide programming functions. The two switches located at positions 2 and 7 (SW3-2, SW3-7) are not used. Moving the switches toward the corresponding switch position number, or the "ON" direction GROUNDs the input and provides a digital "low", or zero. A digital "high" input is provided when the switches are in the "OFF" position, or facing towards switches SW1 and SW2.

Timing functions : The UCC3912 Demo Kit incorporates a 0.047 microfarad timing capacitor to provide fault protection. Using the equations found in the device's datasheet, the actual timing intervals can be determined by:

$$FAULT = C_T \cdot 28 \cdot 10^3 = 1.3 \text{ milliseconds}$$

$$T_{SHUTDOWN} = C_T \cdot 10^6 = 47 \text{ milliseconds}$$

The exact duty cycle during a fault condition is :

$$duty \ cycle = \frac{FAULT}{T_{SHUTDOWN}} = \frac{1.3ms}{47ms} = 2.8\%(typical)$$

Maximum load capacitance : The maximum load capacitance can also be calculated using the equations found in the UCC3912 datasheet. Since a wide range of maximum load currents, output voltages and timing capacitors can be used, the maximum load capacitance value will vary with each application. Note that the Demo Kit uses a 10µF electrolytic capacitor on the output (VOUT) connection which must be taken into account to determine the maximum capacitive load.

Supplying power : The Demo Kit has two terminal blocks for electrical connections to the input voltage

supply and the output load. Terminal block TB1 is used for the input supply (VIN) and TB2 is used to connect the kit to an appropriate load. Observe the correct polarity (+/-) of the connections as indicated on the printed circuit board, or damage could result.

Input voltage range : 3 volts minimum to 8 volts maximum

Output load : An adjustable electronic load can be used to draw varying amplitudes of current through the UCC3912 Demo Kit. This type of load is much easier to use than fixed value power resistors to determine the exact current limiting threshold. One example of an adjustable electronic load is shown in Unirode Design Note #DN-52 which can sink over 5 amps of DC current and dissipate over 35 Watts of heat without a fan. This design is adequate for comprehensive testing of the UCC3912 Demo Kit.

Output current range : 0 to 4 amps, 0 to 32 watts (approximate)

"Hot swap" testing should be performed using power resistors and/or capacitors to draw the specific load current and characteristics required. These should be placed across the Demo Kit output connections and testing performed by switching SW2 on and off while monitoring the load current and voltage. DO NOT USE AN ELECTRONIC LOAD unless it has been characterized for this "hot swap" application. Many electronic loads will attempt to draw very high current with a rapid application of input voltage and could falsely cause tripping of the UCC3912 Fault circuitry.

Other Applications : While primarily intended for "hot swap" data communications power supply applications, the UCC3912 also lends itself to any low

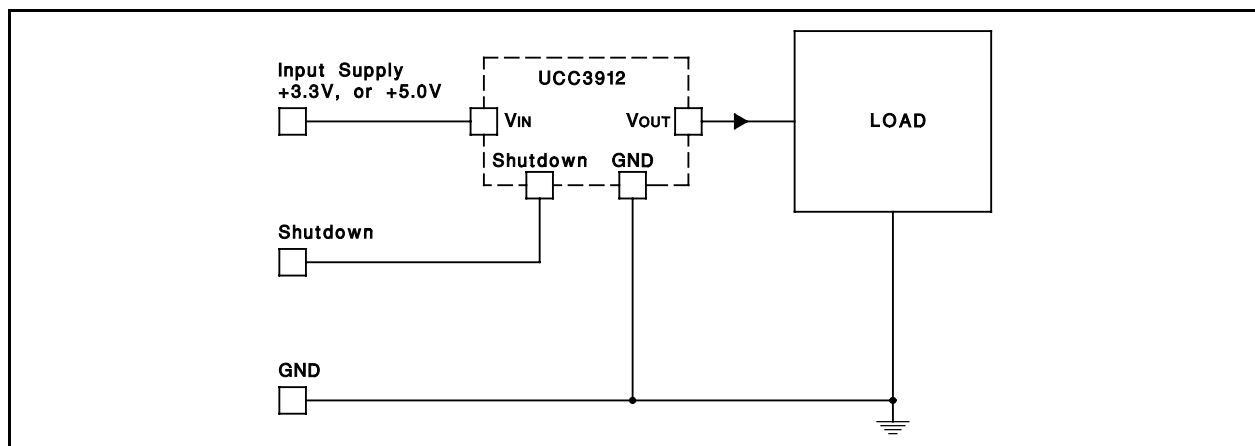


Figure 2. UCC3912 Used as a Low Current Standby (<5µA) Power Switch

voltage circuit breaker or protection application below 4 amps. Some of these include battery powered tools and equipment, PCMCIA card power switching and many 3.0V, 3.3V and 5.0 volt power supplies.

nable maximum current protection for a wide variety of power applications including : data communications, computer, battery powered and portable equipment, PCMCIA card power, industrial controls and many low voltage power supplies.

Summary: The features of the UCC3912 Electronic Circuit Breaker offer design flexibility and program-

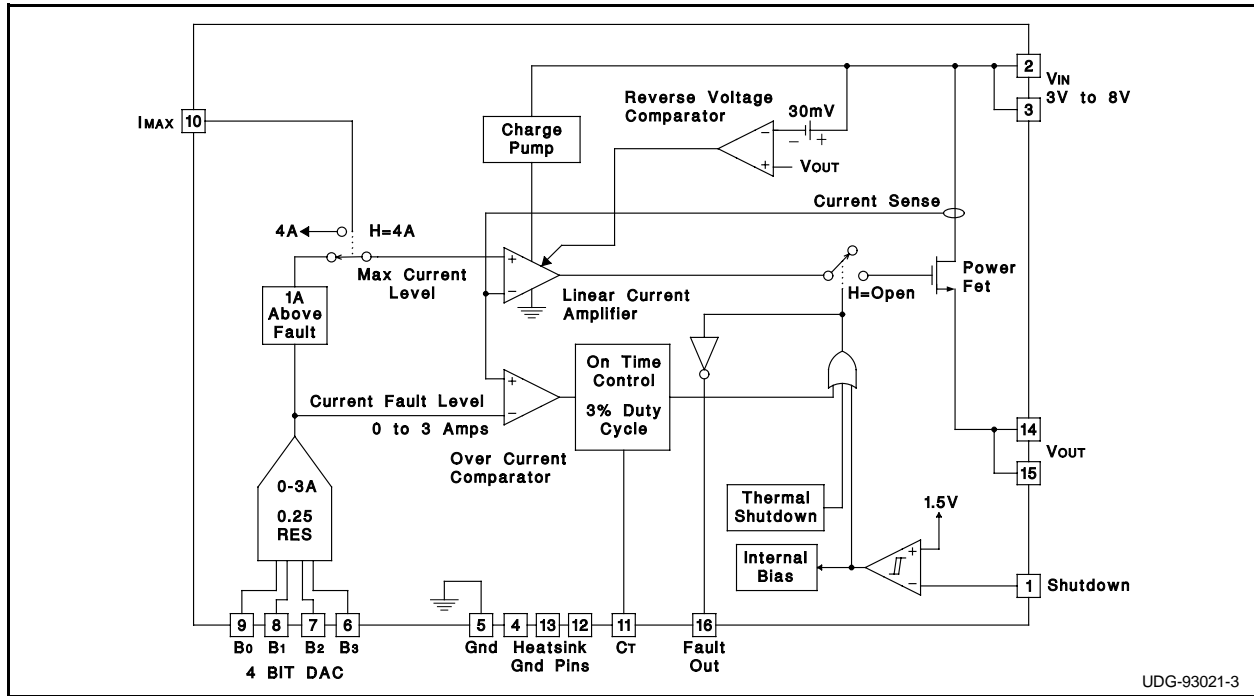


Figure 3. UCC3912 Block Diagram